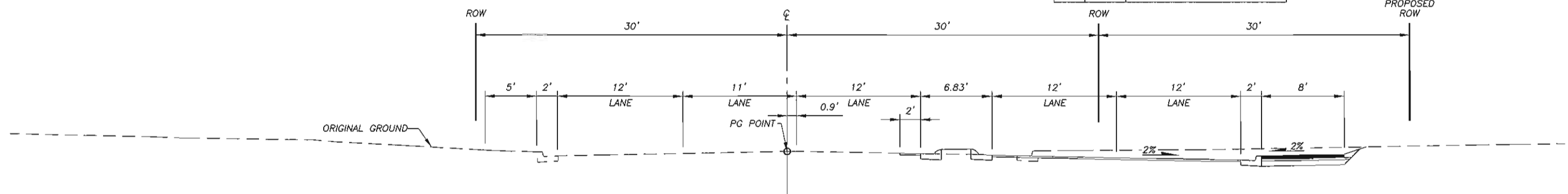


H:\jobs\09-003 Palmer Couplet Design (DOT)\D3-DSR\CAD\Drawings\09003_03_Typical_Sections, 1=5, 11/15/10 at 15:49 by tlc
LAYOUT: C3.1

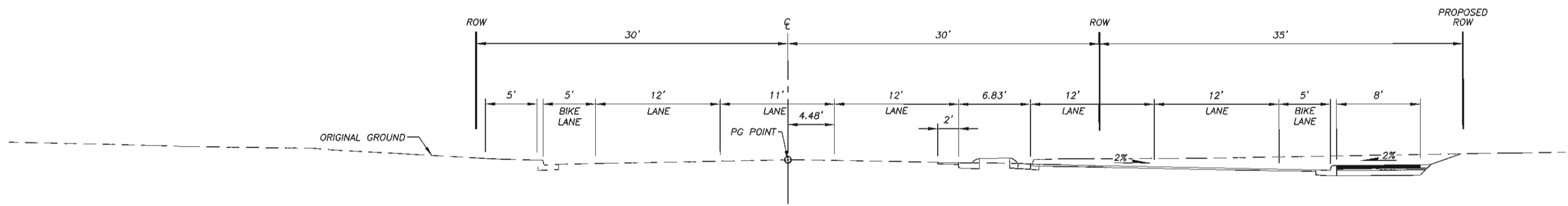
SCALE 1"=5'	COMPUTER DESIGNATION
DATE: 11/15/10	DESIGNED BY: FJS
PLT: 11/15/10	CHECKED BY: DNL
PLT VIEW: 1	DRAWN BY: FJS

REVISIONS			STATE	PROJECT DESIGNATION	YEAR	SHEET NO.	TOTAL SHEETS
No.	DATE	DESCRIPTION	ALASKA	X	2010	C3.1	

November 17, 2010



A 2-1-2 LANE SOUTH - NO BIKE LANES
SCALE: 1"=5'
EVERGREEN AVENUE



B 2-1-2 LANE SOUTH - TWO BIKE LANES
SCALE: 1"=5'
EVERGREEN AVENUE

STATE OF ALASKA
DEPARTMENT OF TRANSPORTATION
AND
PUBLIC FACILITIES

PALMER-WASILLA EASTERN TERMINUS

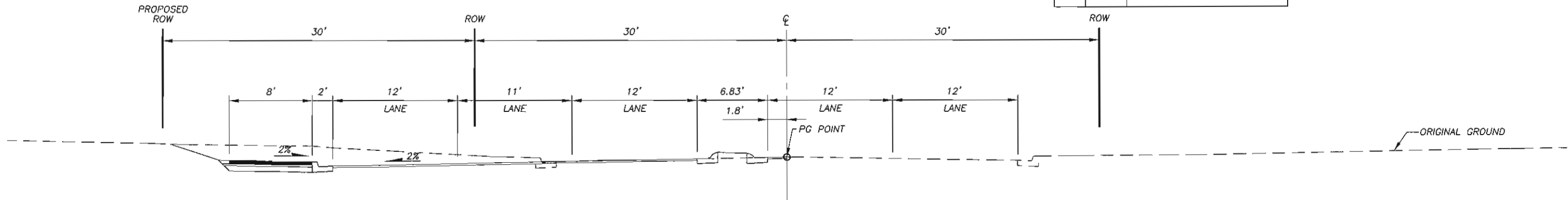
EVERGREEN AVENUE
TYPICAL SECTIONS

H:\jobs\09-003 Palmer Couplet Design (DOT)\03-05R\CAD\Drawings\09003_03_Typical_Sections, 1=5, 11/15/10 at 13:49 by tlc

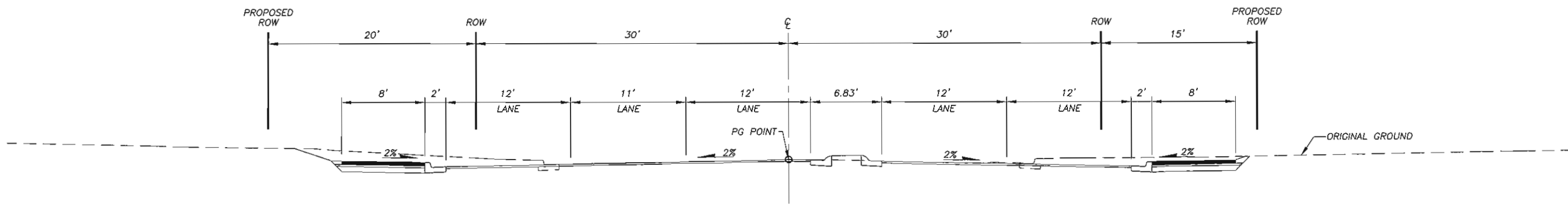
DESIGNED BY	FJS
CHECKED BY	DWL
DRAFTED BY	FJS
SCALE 1=	COMPUTER DESIGNATION
XREFS:	
PLOT CTB:	adot_plt.ctb
PLOT SCALE:	1:1
PLOT VIEW:	

REVISIONS			STATE	PROJECT DESIGNATION	YEAR	SHEET NO.	TOTAL SHEETS
No.	DATE	DESCRIPTION	ALASKA	X	2010	C3.2	

November 17, 2010



C 2-1-2 LANE NORTH - NO BIKE LANES
SCALE: 1"=5'
EVERGREEN AVENUE



D 2-1-2 LANE CENTER - NO BIKE LANES
SCALE: 1"=5'
EVERGREEN AVENUE

STATE OF ALASKA
DEPARTMENT OF TRANSPORTATION
AND
PUBLIC FACILITIES
PALMER-WASILLA EASTERN TERMINUS

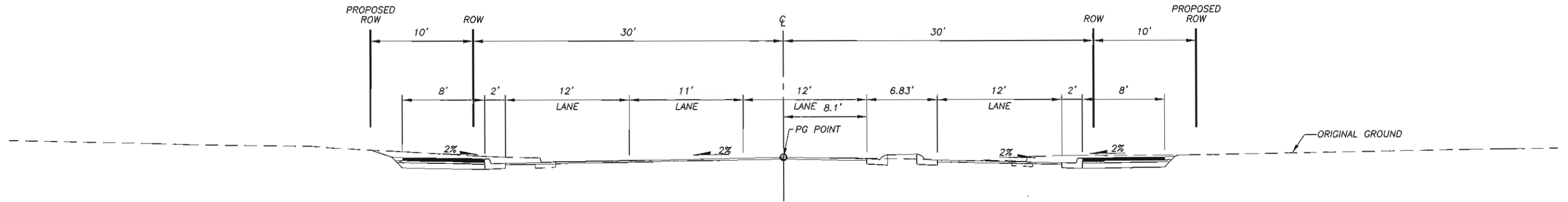
EVERGREEN AVENUE
TYPICAL SECTIONS

H:\jobs\09-003 Palmer Couplet Design (DOT)\03-DSR\CAD\Drawings\090003_03_Typical_Sections, 1=5, 11/15/10 at 15:49 by tlc

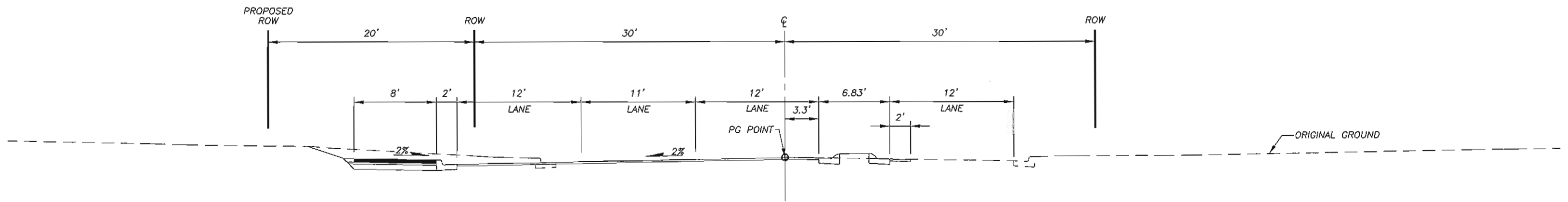
SCALE 1" = 5'	COMPUTER DESIGNATION	DATE	DESIGNED BY	F.S.
			CHECKED BY	DNL
			DRAWN BY	WJS

REVISIONS		
No.	DATE	DESCRIPTION

STATE	PROJECT DESIGNATION	YEAR	SHEET NO.	TOTAL SHEETS
ALASKA	X	2010	C3.3	
November 17, 2010				



E 2-1-1 LANE CENTER - NO BIKE LANES
SCALE: 1"=5'
EVERGREEN AVENUE



F 2-1-1 LANE NORTH - NO BIKE LANES
SCALE: 1"=5'
EVERGREEN AVENUE

STATE OF ALASKA
DEPARTMENT OF TRANSPORTATION
AND
PUBLIC FACILITIES

PALMER-WASILLA EASTERN TERMINUS

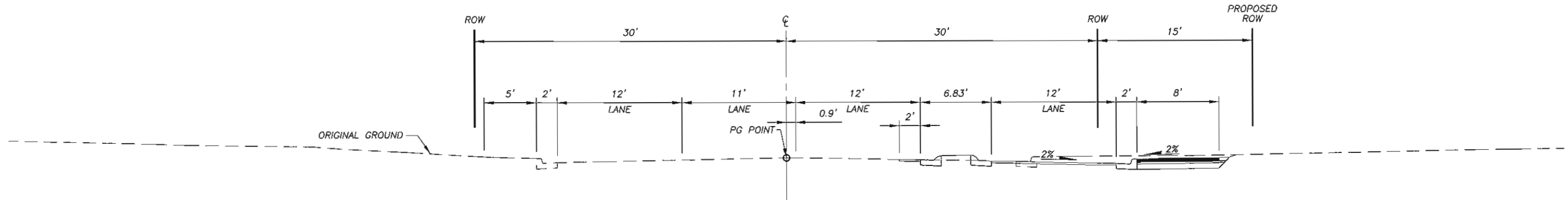
EVERGREEN AVENUE
TYPICAL SECTIONS

H:\jobs\09-003 Palmer Couplet Design (DOT)\03-DSR\CAD\Drawings\090003_03_Typical_Sections, 1=5, 11/15/10 at 15:49 by tlc

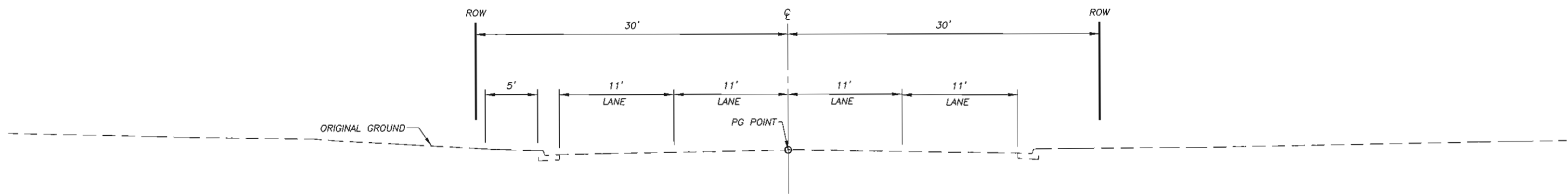
DESIGNED BY: P.S.
 CHECKED BY: P.M.
 DRAWN BY: P.S.
 PLOT DATE: 11/11/10
 PLOT SCALE: 1"=5'
 PLOT VIEW: COMPUTER DESIGNATION

REVISIONS			STATE	PROJECT DESIGNATION	YEAR	SHEET NO.	TOTAL SHEETS
No.	DATE	DESCRIPTION	ALASKA	X	2010	C3.4	

November 17, 2010



G 2-1-1 LANE SOUTH - NO BIKE LANES
 SCALE: 1"=5'
 EVERGREEN AVENUE

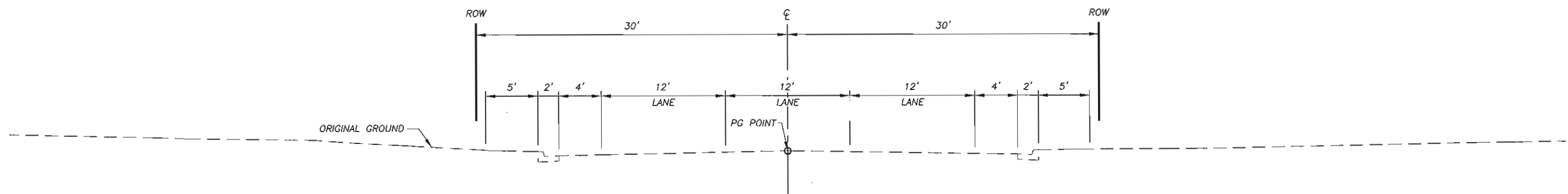


H EXISTING 4-LANE
 SCALE: 1"=5'
 EVERGREEN AVENUE

STATE OF ALASKA
 DEPARTMENT OF TRANSPORTATION
 AND
 PUBLIC FACILITIES
 PALMER-WASILLA EASTERN TERMINUS
 EVERGREEN AVENUE
 TYPICAL SECTIONS

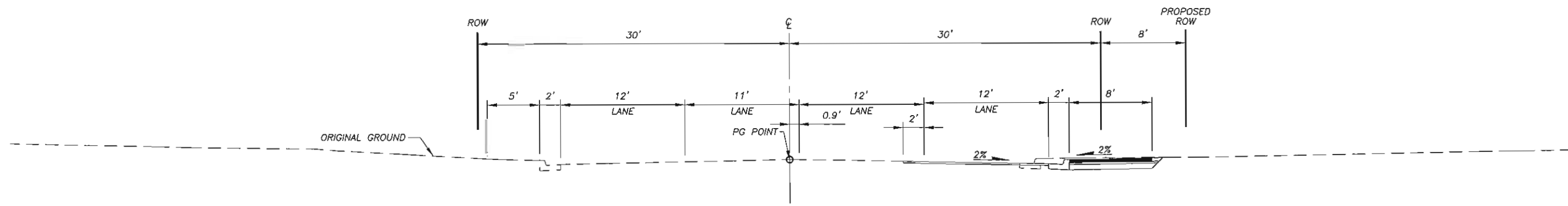
REVISIONS			STATE	PROJECT DESIGNATION	YEAR	SHEET NO.	TOTAL SHEETS
No.	DATE	DESCRIPTION	ALASKA	X	2010	C3.5	

November 17, 2010



I 3 LANE WITH CENTER TWO-WAY OR SINGLE LEFT TURN LANE
SCALE: 1"=5'

EVERGREEN AVENUE



J 2-1-1 LANE WITH CENTER TWO-WAY OR SINGLE LEFT TURN LANE
SCALE: 1"=5'

EVERGREEN AVENUE

H:\Jobs\09-003 Palmer Couplet Design (DOT)\03-DSR\CAD\Drawings\09003_03_Typical_Sections_1=5, 11/15/10 at 15:49 by tlc
LAYOUT: C3.5

DESIGNED BY	FJS
CHECKED BY	DWL
DRAWN BY	FJS
PLOT CTR	odc_jns.dwl
PLOT SCALE	1:1
PLOT VIEW	
SCALE	1"=5'
COMPUTER DESIGNATION	

STATE OF ALASKA
DEPARTMENT OF TRANSPORTATION
AND
PUBLIC FACILITIES

PALMER-WASILLA EASTERN TERMINUS

EVERGREEN AVENUE
TYPICAL SECTIONS